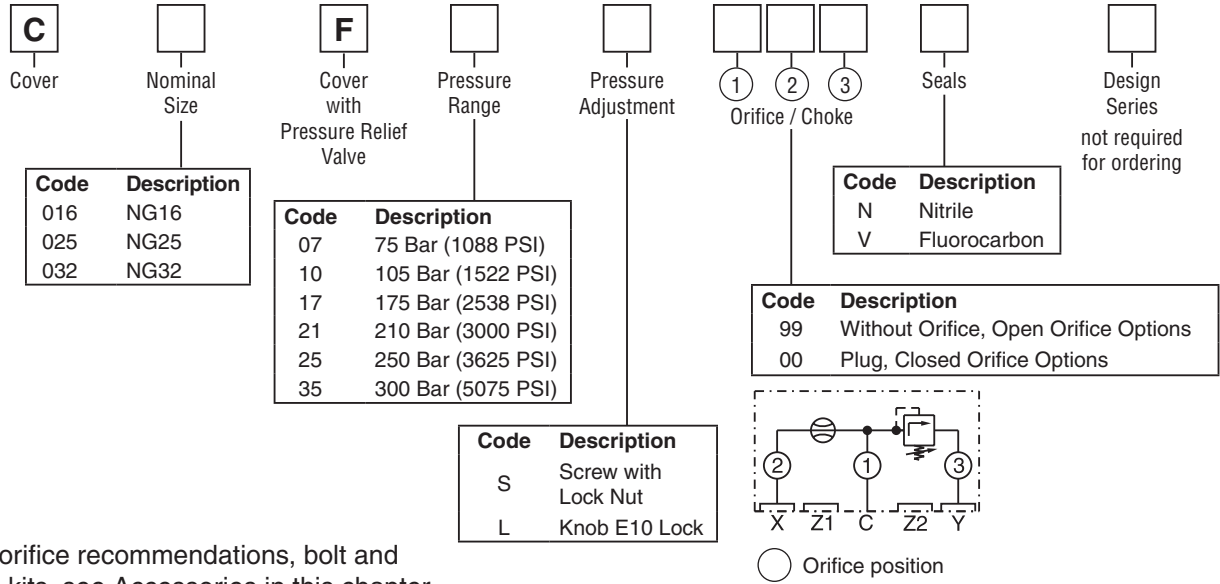


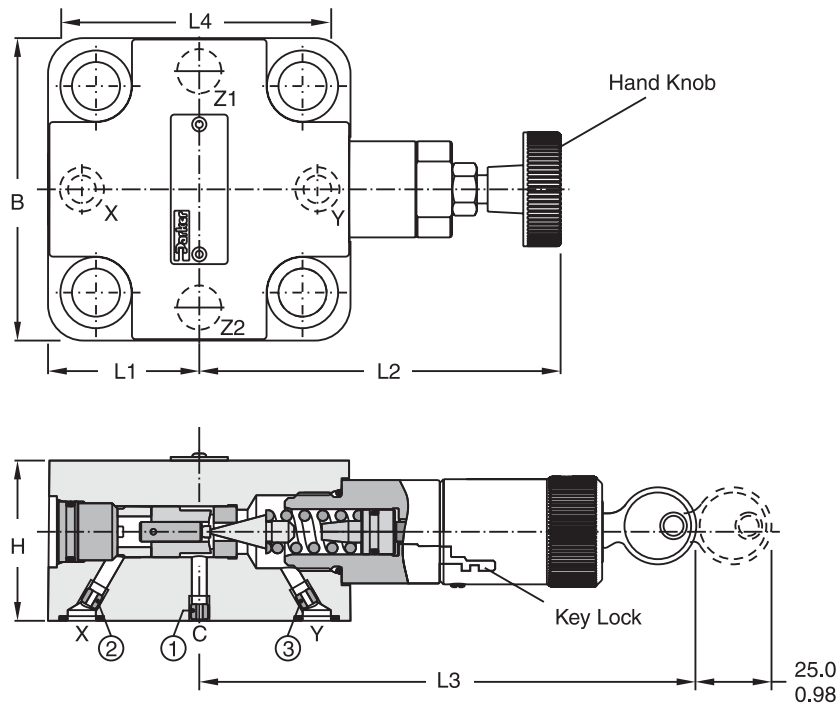
Ordering Information



For orifice recommendations, bolt and seal kits, see Accessories in this chapter.

Dimensions

Inch equivalents for millimeter dimensions are shown in (**)



Ports Z1 and Z2: O-ring recess diameter on valve body

Size	B	H	L1	L2 max.	L3 max.	L4	Orifice Thread		
							①	②	③
NG16	65.0 (2.56)	40.0 (1.57)	32.5 (1.28)	114.0 (4.49)	125.5 (4.94)	79.0 (3.11)	M5	M4	M5
NG25	85.0 (3.35)	45.0 (1.77)	42.5 (1.68)	102.0 (4.02)	114.0 (4.49)	85.0 (3.35)	M5	M5	M5
NG32	102.0 (4.02)	50.0 (1.97)	51.0 (2.01)	95.0 (3.74)	106.0 (4.17)	102.0 (4.02)	M5	M6	M6